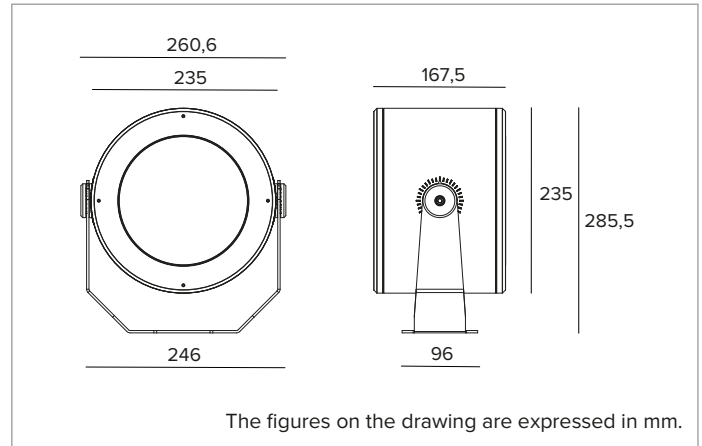


## 1E3996EL | DART Round Maxi

### Professional adjustable LED projector



		3000K	H(m)	D(m)	Emax(lx)
		Ra80		62°	
Fixture Power	71W	1	1.21	6229	
Source Flux	8760lm	2	2.43	1557	
Fixture Flux	6728lm	3	3.64	692	
Efficacy	95lm/W	4	4.85	389	
TS1782	Imax=728cd/klm	Imax	6374cd	5	6.07



#### SOURCE

High efficiency Chip on Board LED Ra80. Ra90 version available on request.

**Energy efficiency class:** C

**Nominal power:** 63W

**Nominal flux:** 8760lm

**Colour rendering index:** 80

**Rf:** 84

**Rg:** 97

**CCT nominal:** 3000K

**Lifetime (L80/B10):** >50000h tq +25°C

#### ILLUMINOTECHNICAL CHARACTERISTICS

WFL version: convex faceted mirrored anodised aluminium precision optics, diffusive moulded glass.

**Optic:** REFLECTOR

**Beam angles:** WFL

**Optical efficiency:** 77%

**Fixture flux:** 6728lm

**Luminous efficacy:** 95lm/W

**Photobiological safety:** Compliant with RG1 low risk group

#### MECHANICAL CHARACTERISTICS

Painted die-cast anodised aluminium body and painted stainless steel mounting bracket. Tempered extra clear front glass.

**Colour and finish:** Ferrite

**Weight:** 7.2Kg

**Degree of protection:** IP66

**Mechanical Resistance:** IK10

#### ELECTRICAL CHARACTERISTICS

Version with integrated electronic ON-OFF power supply. Precabled with a 1.5m long feeding cable H07RN-F.

**Fixture Power:** 71W

**Power supply:** 220-240Vac 50/60Hz

**Insulation Class:** CLASS 1

**Type of driver / Control:** ON-OFF

**Driver included:** YES

**SAFE FLICKER:** PstLM=<1 and SVM=<0.4 (IEC TR 61547-1 and IEC TR 63158), to ensure a more comfortable and safe light

**Ambient temperature:** -25°C / +35°C

#### INSTALLATION

Mounting bracket with aiming adjustability. Adjustable up to ±45° on the horizontal pane and +90°/-45° on the vertical plane.

#### NOTES

Uses the "Waterblock Smart" technical solution that involves resin coating the connection cables, limiting the risk of humidity reaching the driver or the fixture. It is possible to subject the product to Cataphoresis treatment on request. 110-277Vac version available on request.

#### WARRANTY

5 years.

#### WARNING

Luminaire designed for disposal/recycling at end-of-life. Replaceable (LED only) light source by a professional. Replaceable control gear by a professional.

Due to the technological evolution of the electronic components, the data provided may be updated, and as such, confirmation must be requested during the order process.

Luminous flux and power supply have +/-10% tolerances with respect to the indicated value. tq +25°C (CIE 121).

We reserve the right to make technical changes.

Targetti Sankey S.r.l.  
Via Pratese, 164  
50145 Firenze - Italy  
Tel: +39 055 37911  
targetti.com  
targetti@targetti.com

CCIAA Firenze  
Share Capital:  
€ 500.000,00  
VAT N. (IT):  
01537660480  
R.E.A: FI-275656

**TARGETTI**

# 1E3996EL | DART Round Maxi

## Professional adjustable LED projector

### Accessories

#### Filter

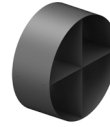


Colour Code

● 1E4010

Blade of light filter.  
PMMA holographic filter for a blade of light effect.  
Completed with powder coated aluminum alloy holder ring.

#### Grid



Colour Code

● 1E4013

Anti-glare louver.  
Powder coated stainless steel.

#### Screen



Colour Code

● 1E4011

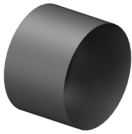
Asymmetric screen.  
Powder coated stainless steel.



Colour Code

● 1E4012

Cylindrical screen.  
Powder coated stainless steel.  
Short version.



Colour Code

● 1E4059

Cylindrical screen.  
Powder coated stainless steel.  
Long version.

#### Mounting System



Colour Code

● 1E3026

Plate for fixture rotation.  
Powder coated stainless steel.



Dimensions Colour Code

150x352 ● 1E3188

Earthspike.  
Powder coated stainless steel.

Due to the technological evolution of the electronic components, the data provided may be updated, and as such, confirmation must be requested during the order process.  
Luminous flux and power supply have +/-10% tolerances with respect to the indicated value. tq +25°C (CIE 121).

We reserve the right to make technical changes.

Targetti Sankey S.r.l.  
Via Pratese, 164  
50145 Firenze - Italy  
Tel: +39 055 37911  
targetti.com  
targetti@targetti.com

CCIAA Firenze  
Share Capital:  
€ 500.000,00  
VAT N. (IT):  
01537660480  
R.E.A: FI-275656

# TARGETTI

# 1E3996EL | DART Round Maxi

## Professional adjustable LED projector

### Mounting System



Colour Code

● 1E2825

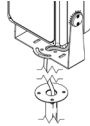
Pole bracket.  
Anodised and powder coated aluminium.  
Pole Ø 60mm (+/-2mm).



Colour Code

● 1E3097

Pole multiple mounting system.  
Powder coated stainless steel.  
To be completed with 1E2825.  
Max 4 projectors.



Colour Code

● 1E3187

Pole with base.  
Powder coated stainless steel.

### Connector



Code

1E2769

Linear connection box IP66/IP68.  
5 poles max. wire section 1.5mm<sup>2</sup>.  
Cable diameter range from 7 to 12mm.

### Tool



Code

1E3305

Tightening wrench for the connector kit.

### Connector

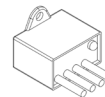


Code

1E2494

Multiple connection box IP68.  
1 IN - 3 OUT 4 poles max. wire section 2.5mm<sup>2</sup>.  
Cable diameter range from 6 to 12mm.

### Surge protector



Code

A013A

Surge protector compatible with CLASS I lighting fixtures.  
Operating voltage 230-277Vac.  
SPD type 2+3.  
Max surge protection 10kV.  
CLASS I  
IP67

*Due to the technological evolution of the electronic components, the data provided may be updated, and as such, confirmation must be requested during the order process.*

*Luminous flux and power supply have +/-10% tolerances with respect to the indicated value. tq +25°C (CIE 121).*

*We reserve the right to make technical changes.*

Targetti Sankey S.r.l.  
Via Pratese, 164  
50145 Firenze - Italy  
Tel: +39 055 37911  
targetti.com  
targetti@targetti.com

CCIAA Firenze  
Share Capital:  
€ 500.000,00  
VAT N. (IT):  
01537660480  
R.E.A.: FI-275656

**TARGETTI**